

Tear Sheet  
Model London on rose by KARCHER DESIGN

**KARCHER**  
**DESIGN**

GERMANY

contact our US office  
Karcher Design USA  
Tukwila, Seattle  
+1 844 858 2033  
order@karcher-design.com



**London**

Finish: satin stainless steel (71)

To suit standard 2 1/8" door prep

Features UER51Q and UER51



**London - UER 51Q**  
2 5/8 x 2 5/8 x 7/16"



**London - UER 51**  
Ø 2 5/8 x 7/16"

- 3 piece rose
- concealed bolt-through fixing
- sprung
- door range 1 1/4" (31 mm) - 2" (51 mm) standard
- T- and Lip-Strike with dust box
- stainless steel faceplate
- backsets: 2 3/8" (60 mm) or 2 3/4" (70 mm)
- functions: Passage (PAS), Privacy (PRI), full dummy (DUM), dummy left (DUM L), dummy right (DUM R)
- available with UL-Latch
- 28° latch with attached face plate
- rate of satin stainless steel 304
- hub 5/16" (8 mm)
- door prep 2 1/8"
- available finish: satin stainless steel

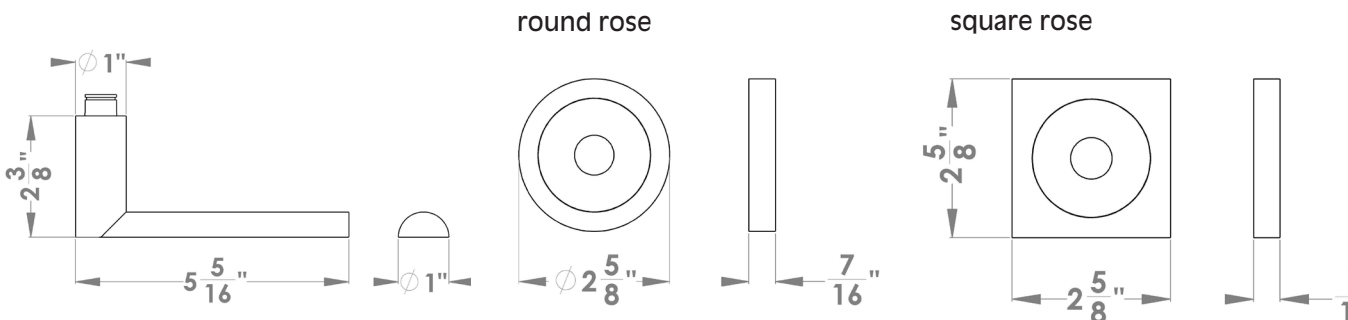
product code  
square

UER51Q PAS60 71	passage 2 3/8" backset
UER51Q PAS70 71	passage 2 3/4" backset
UER51Q PRI60 71	privacy 2 3/8" backset
UER51Q PRI70 71	privacy 2 3/4" backset
UER51Q DUM 71	full dummy
UER51Q DUM L 71	half dummy left
UER51Q DUM R 71	half dummy right
UEDBQ 71	deadbolt to add to passage

round

UER51 PAS60 71	passage 2 3/8" backset
UER51 PAS70 71	passage 2 3/4" backset
UER51 PRI60 71	privacy 2 3/8" backset
UER51 PRI70 71	privacy 2 3/4" backset
UER51 DUM 71	full dummy
UER51 DUM L 71	half dummy left
UER51 DUM R 71	half dummy right
UEDB 71	deadbolt to add to passage
UEDBA 71	deadbolt keyed alike

specification details



Please note: Karcher Design products are designed and measured in metric. Imperial measurements are close approximations to the actual metric dimensions